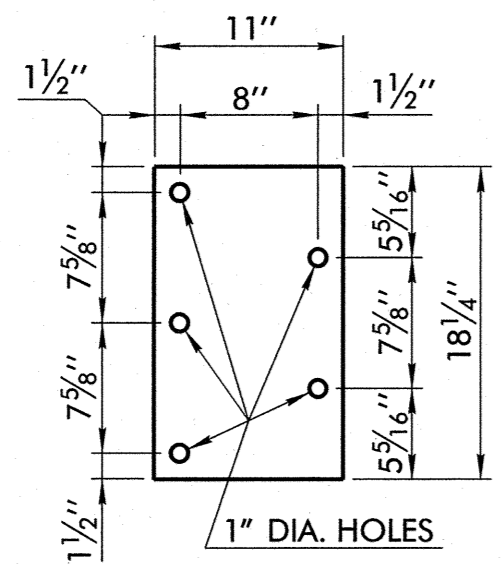
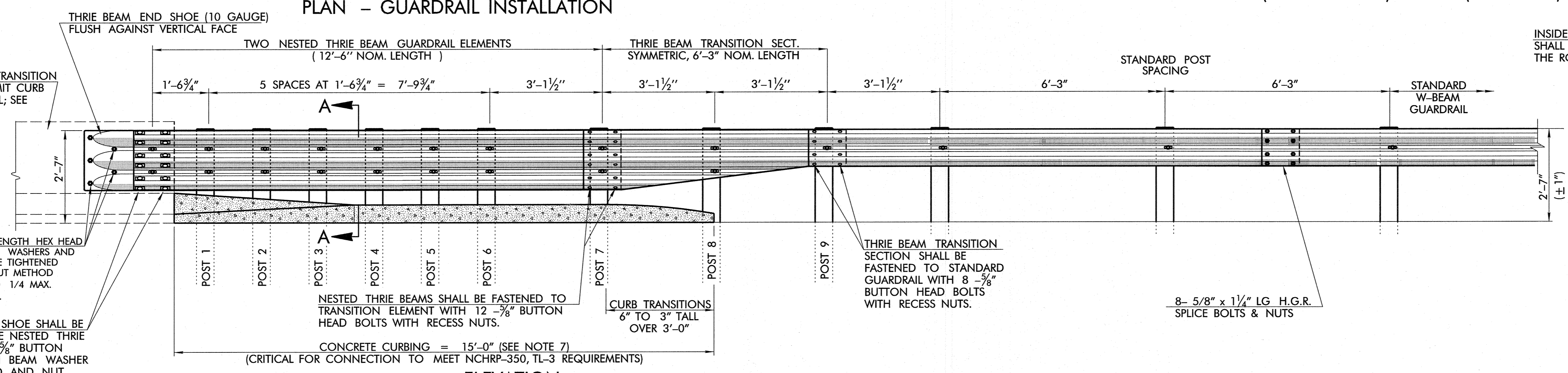
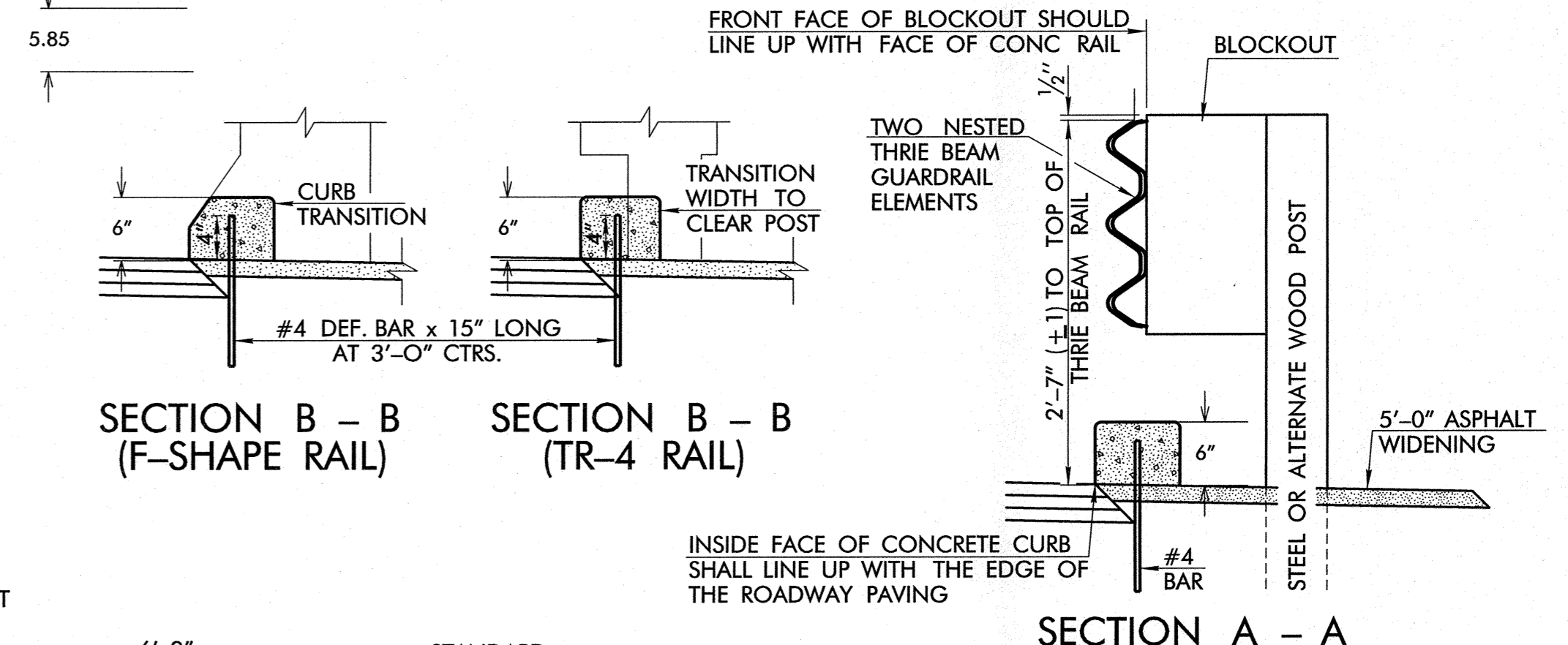
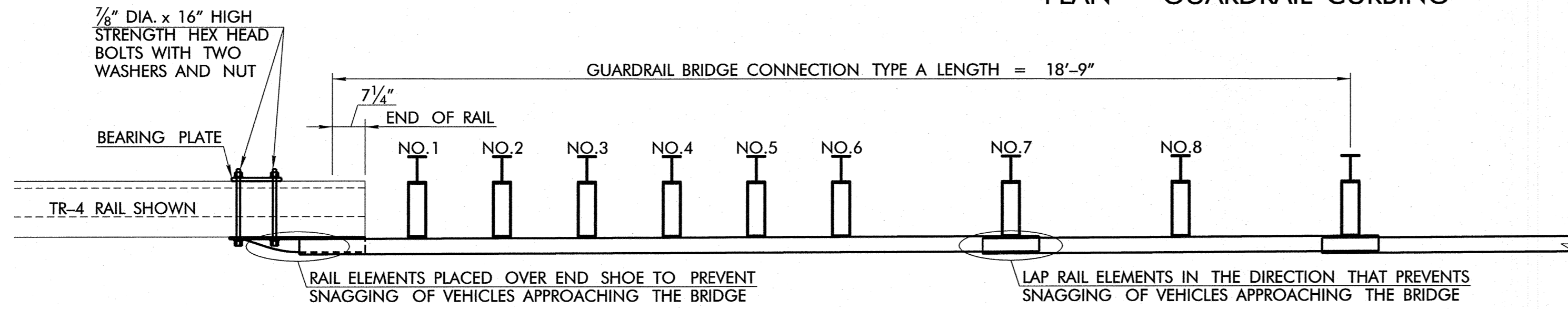
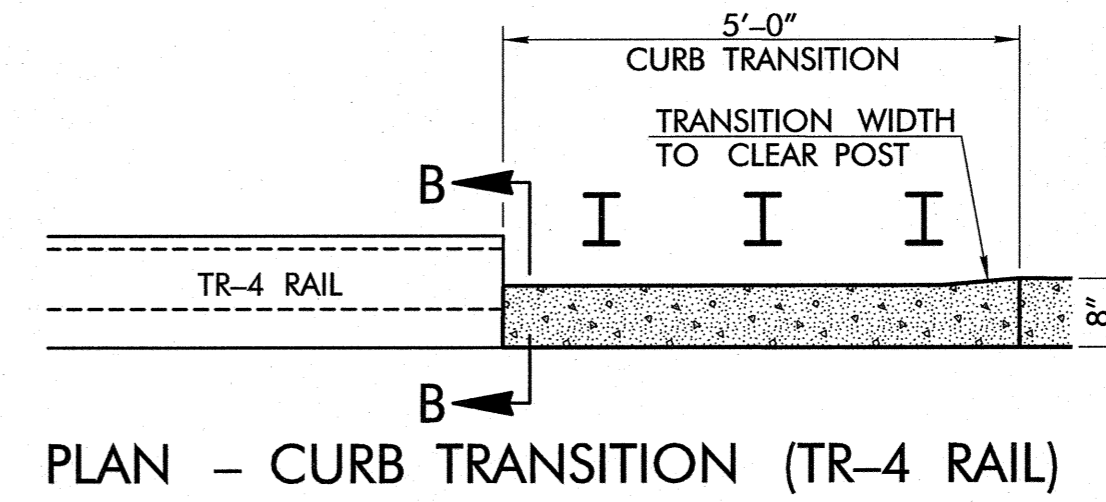
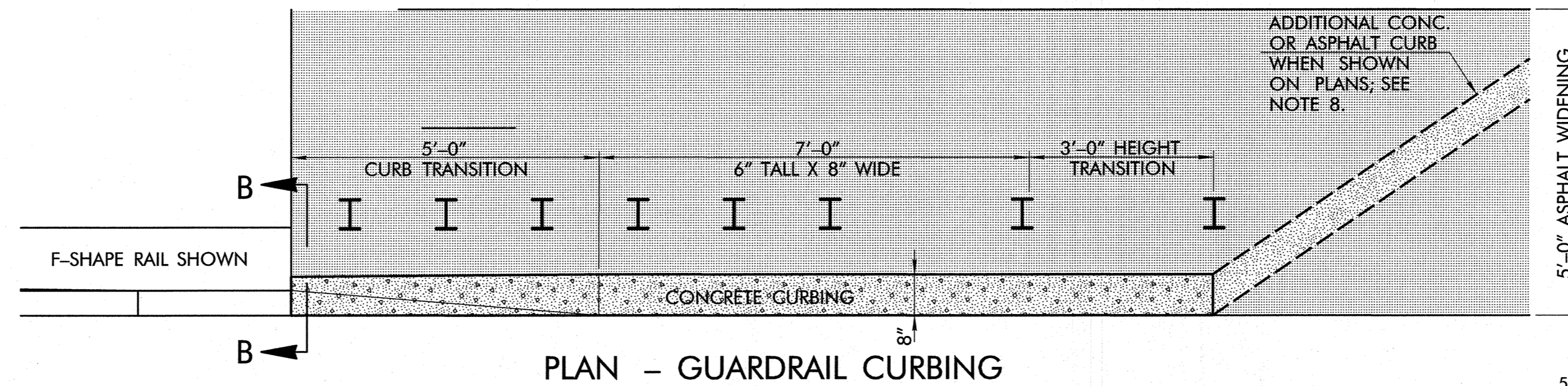


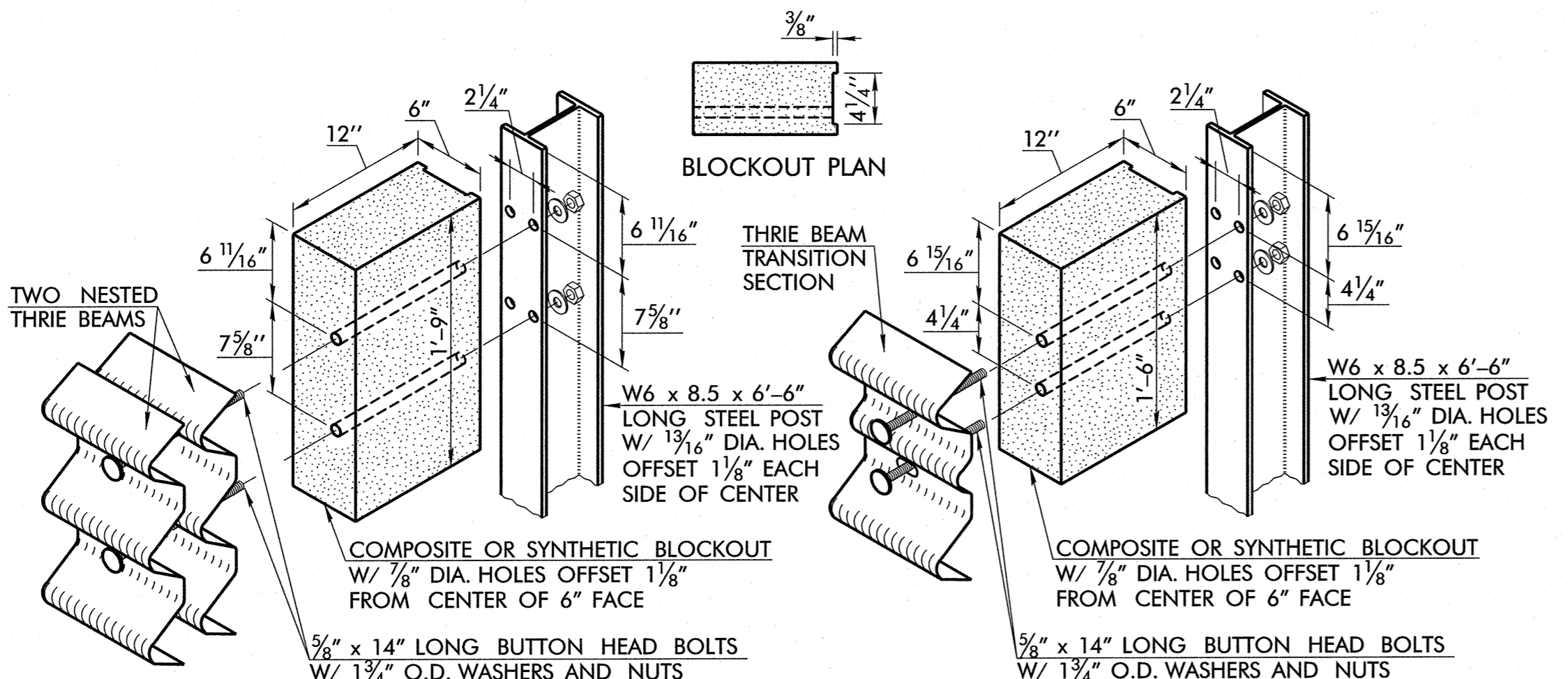
DESCRIPTION	REVISIONS	DATE
REVISED NOTE 8 & GUARDRAIL PAY ITEM		4/2/2013
REVISED THRIE BEAM TO W-BEAM SPACING		6/18/2013



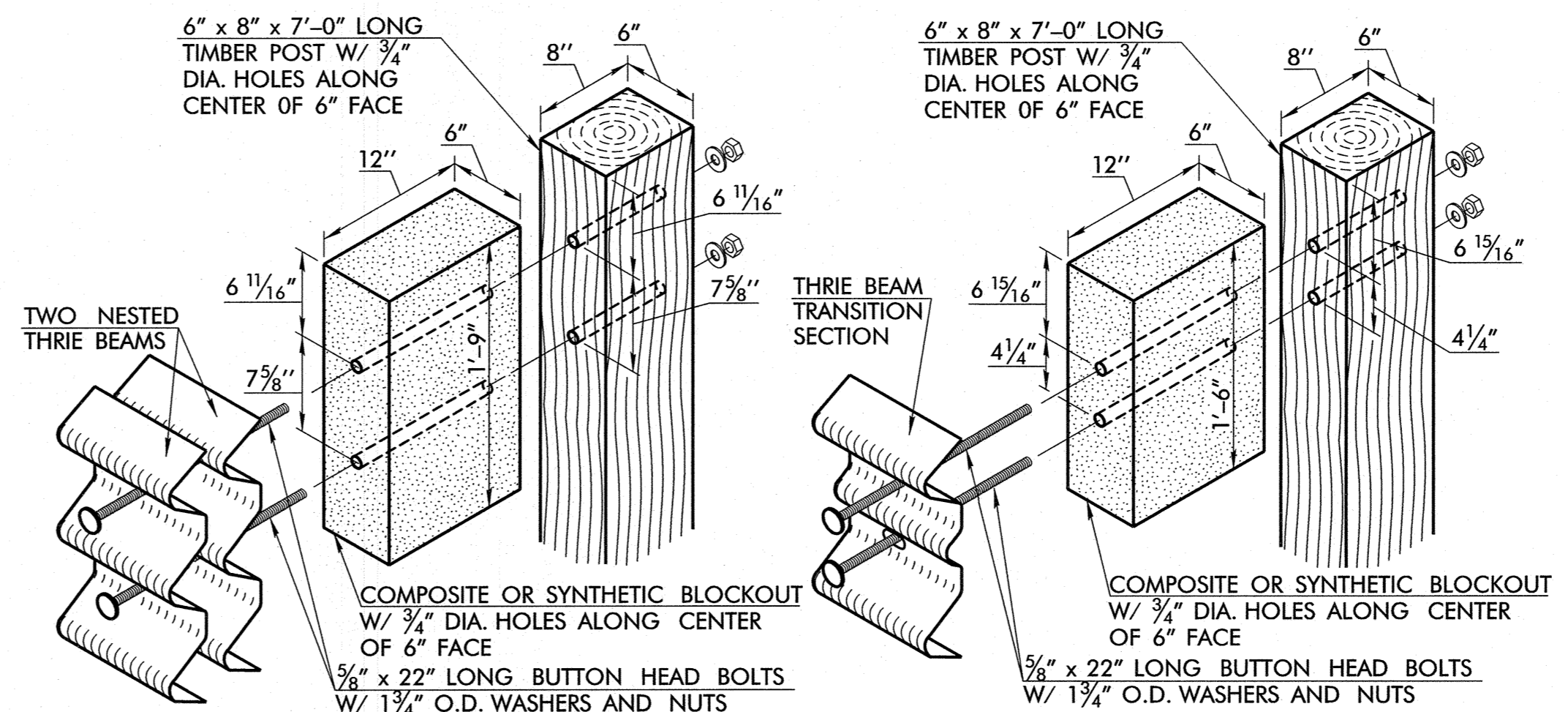
BEARING PLATE
BEARING PLATE SHALL BE 3/4" THICK, GRADE 36 STRUCTURAL STEEL MEETING REQUIREMENTS OF AASHTO M270.



- GENERAL NOTES**
- ALL CONSTRUCTION AND MATERIAL REQUIREMENTS SHALL BE IN ACCORDANCE WITH THE 2009 ODOT STANDARD SPECIFICATIONS.
 - ALL GUARDRAIL, METAL POSTS, BEARING PLATES, BOLTS, WASHERS, AND NUTS SHALL BE GALVANIZED AFTER FABRICATION.
 - ANY FIELD CUTS OR HOLES DRILLED IN GALVANIZED MATERIALS SHALL BE COATED WITH A ZINC OXIDE PAINT, ACCORDING TO SECTION 730.06 OF THE SPECIFICATIONS.
 - ALTERNATIVE POSTS MAY BE USED IN LIEU OF THE POSTS SHOWN ON THIS STANDARD, IF THEY ARE CERTIFIED AS NCHRP-350, TL-3, TESTED AND APPROVED BY THE ENGINEER.
 - WOOD BLOCKOUTS MAY BE USED IN LIEU OF COMPOSITE OR SYNTHETIC BLOCKOUTS, IF BLOCKOUT IS ODOT APPROVED.
 - FOR DETAILS OF GUARDRAIL HARDWARE INCLUDING THRIE BEAM GUARDRAIL ELEMENT, THRIE BEAM TRANSITION SECTION, END SHOE, BEAM WASHER, BUTTON HEAD BOLTS & RECESS NUTS, SEE TRAFFIC STANDARD GHW2-1.
 - PAY ITEM 'GUARDRAIL BRIDGE CONNECTION-THRIE BEAM' INCLUDES ALL COST OF MATERIALS AND INSTALLATION OF THE THRIE BEAM RAIL ELEMENTS, TRANSITION SECTION, END SHOE, POSTS, BLOCKOUTS, CONCRETE CURB, BEARING PLATE, BOLTS, WASHERS AND NUTS SHOWN ON DETAILS.
 - PAY ITEM 'GUARDRAIL CURBING' INCLUDES ALL COST OF MATERIALS AND INSTALLATION OF CLASS A CONCRETE CURB AND #4 BARS AS SHOWN ON DETAILS WHEN ADDITIONAL LENGTH IS REQUIRED.



POST NO. 1 THRU 7
STEEL POST AND COMPOSITE OR SYNTHETIC BLOCKOUT



POST NO. 1 THRU 7
OPTIONAL WOOD POST AND COMPOSITE OR SYNTHETIC BLOCKOUT

BASIS OF PAYMENT		
ITEM NO.	ITEM	UNIT
623(1)	GUARDRAIL BRIDGE CONN-THRIE BEAM (31")	EA.
623	(PL) GUARDRAIL CURBING	EA.

APPROVED BY: *[Signature]* DATE: 6/18/2013
TRAFFIC ENGINEER

TRAFFIC STANDARD
GUARDRAIL BRIDGE CONNECTION-THRIE BEAM (31" SYSTEM)

2009 SPECIFICATIONS